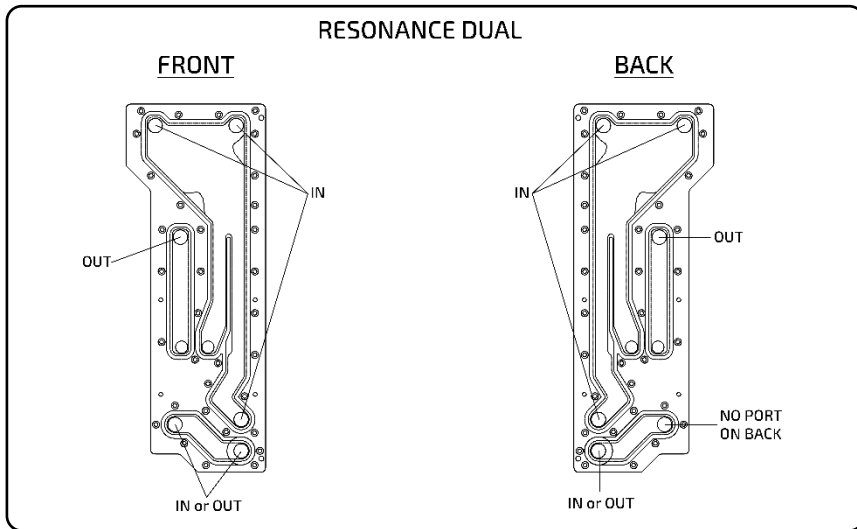
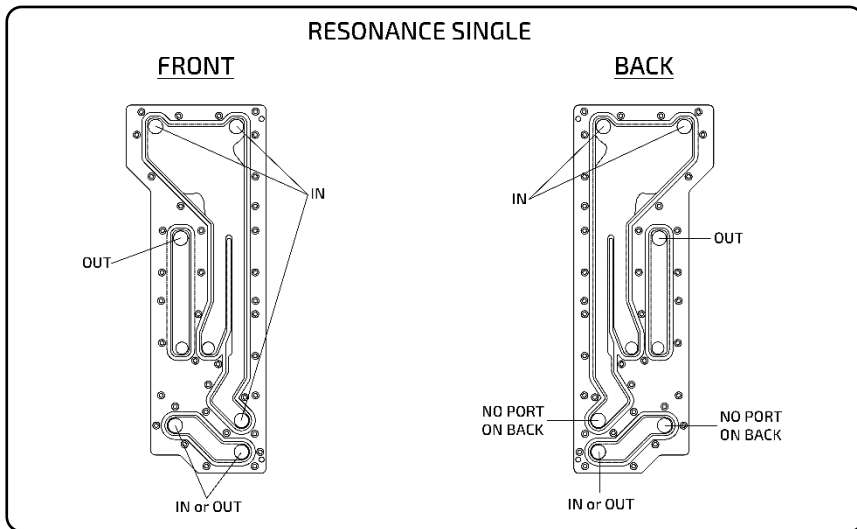
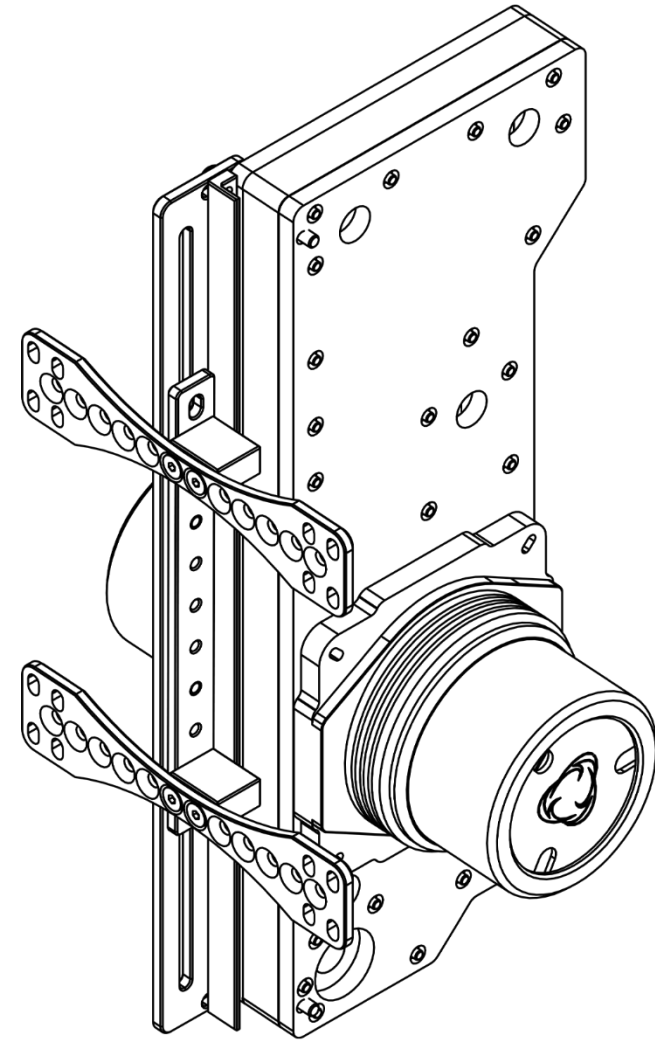


## Port Layouts



# RESONANCE



OFFICIAL SITE



<http://bit.ly/sc-official-site>

PRODUCTS



<http://bit.ly/sc-products>

SUPPORT



<http://bit.ly/sc-contact-us>

RESONANCE FAQ



<http://bit.ly/resonance-faq>

Follow us on:

**Tools Required**

- M4 Allen key – Not included
- M4 Socket Wrench – Not included

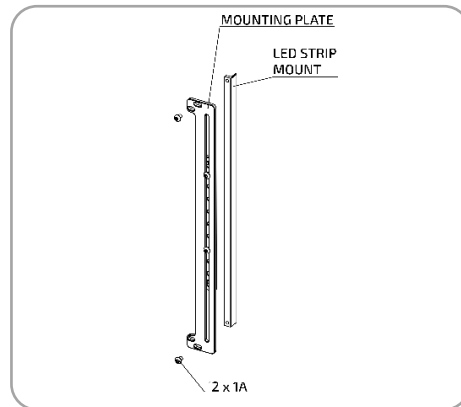
**Fasteners**

<b>1A</b> (2x)		<b>2A</b> (2x)		<b>M4 Washer</b>	
<b>3A</b> (4x)		<b>2B</b> (2x)		<b>M4 Nut</b>	

⚠ OVER TIGHTENING OF FASTENERS ON ACRYLIC WILL RESULT IN CRACKS. ⚠

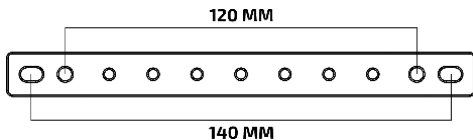
**Step 1**

Attach 'LED Strip' to 'LED Strip Mount' using included adhesive. Then attach 'LED Strip Mount' to 'Mounting Panel' with 2x 1A.

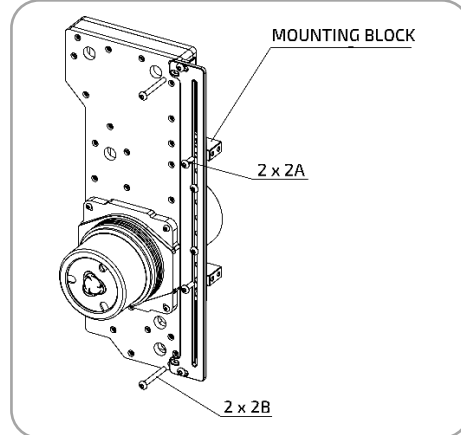


**Step 2**

Attach 'Mounting Block' to 'Mounting Panel' with 2x 2A and 2x M4 Washers. Select mounting position for your radiator size based on diagram below:



Then Attach 'Mounting Panel' to Resonance Manifold with 2x 2B, 2x M4 Washers and 2x M4 Nuts.



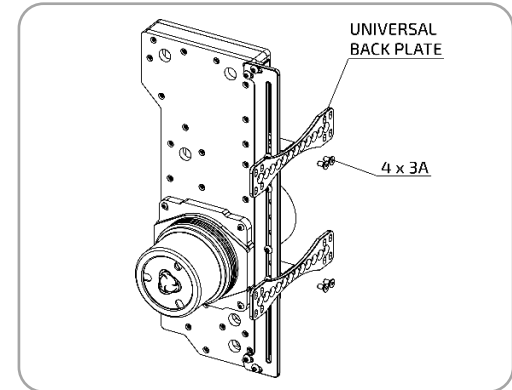
**Step 3**

Attach both 'Universal Back Plates' to both 'Mounting Blocks' using 4x 3A.

**NOTE:** Resonance can be removed from the mounting system by undoing 2x2A to give you access to the area behind for tightening the back plate fasteners to the radiator, fittings etc.

**Pressure Testing**

Do not exceed normal range when pressure testing.

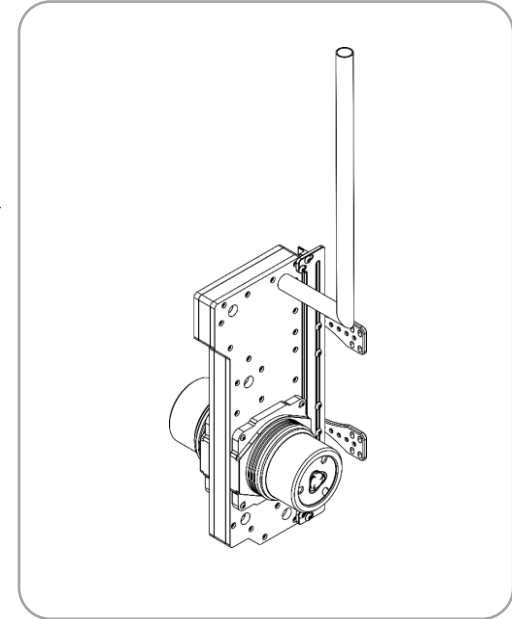


**Filling**

⚠ INCLUDED RUBBER STOP PLUGS ARE ONLY PART OF PACKAGING, DO NOT USE AS STOP FITTINGS.

**NOTE:** For Resonance Dual only run one D5 Pump until the loop is full and all of the air is removed.

Use external power source to power your pump while you are filling your loop. Do not boot your system until your loop is full, some remaining air is fine at this point. Use a fill tube at least 30-50cm long and attach to one of the top ports of Resonance with a 90-degree fitting. Fill until fill tube is half full each time the reservoir is drained when you switch on the pump. Do not detach the fill tube until all of the air is out of the loop even if this means running your system for a few hours with it still attached. Resonance is different to fill to a normal tube reservoir, there can be no air gap at the top, it needs to be entirely full of fluid. The bigger your loop volume the longer the system will take to bleed (also depending on other factors such as loop complexity and flow restriction). Let Resonance do the work for you, it is best to just leave it running and the air will come out on its own. It is only a matter of time and all of the air will always come out.



**Lighting**

There are two sets of LEDs on the included LED Strips, RGB and UV. The UV has a 3pin fan cable included which you can plug into any fan header on your motherboard. The RGB has a standard 4pin RGB connection which also needs to be connected to your motherboard. This connection is interchangeable from male to female with the included adapter.

Find more information here: <http://bit.ly/sc-spectrum>